

Technical data sheet



Product features

Open stand mobile

Model

SAP Code

00003164



– Material: Stainless steel

Technical data sheet



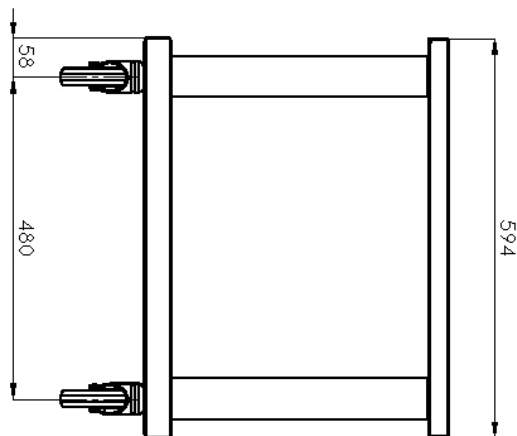
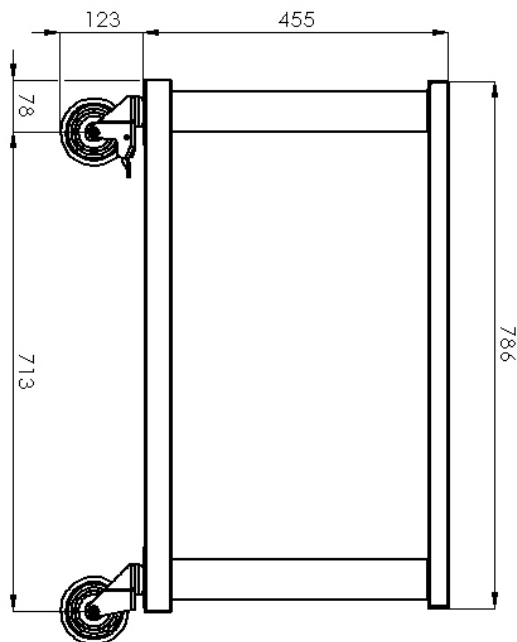
Technical drawing

Open stand mobile

Model

SAP Code

00003164



Technical data sheet



Technical parameters

Open stand mobile

Model

SAP Code

00003164

1. SAP Code:

00003164

6. Gross Width [mm]:

810

2. Net Width [mm]:

786

7. Gross depth [mm]:

610

3. Net Depth [mm]:

594

8. Gross Height [mm]:

580

4. Net Height [mm]:

578

9. Gross Weight [kg]:

26.00

5. Net Weight [kg]:

25.50

10. Material:

Stainless steel